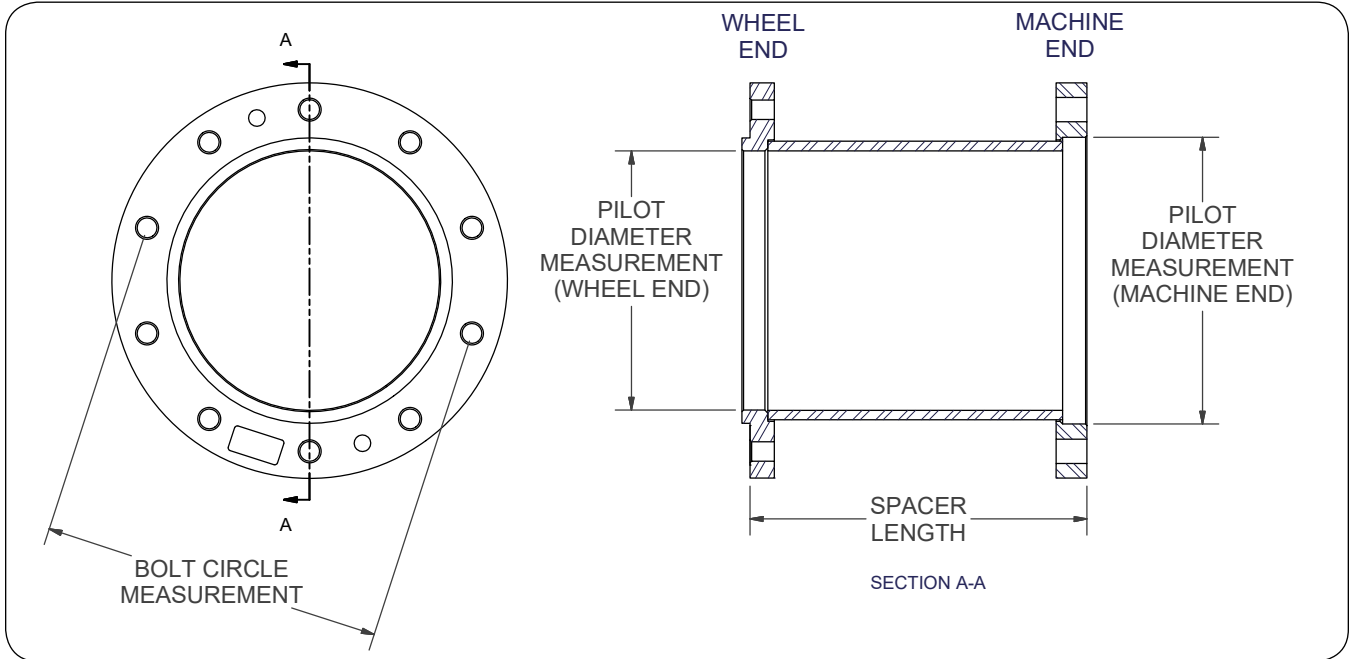


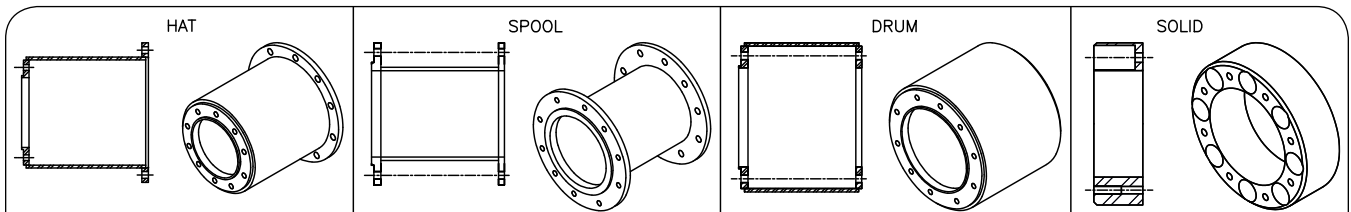
Custom Spacer Measurements



Machine End (Spacer Attaches to Machine):	
Bolt Circle Measurement :	
Pilot Diameter Measurement :	
Number of Bolts :	
Bolt Hole Size :	

Wheel End (Spacer Attaches to Wheel):	
Bolt Circle Measurement :	
Pilot Diameter Measurement :	
Number of Bolts :	
Bolt Hole Size :	
Thread Size :	None Yes Thread Size:

Other Needed Information:	
Tractor Make and Model (Year) :	
Spacer Application :	
Spacer Length :	
Load per Spacer :	
Total Load :	
Maximum Speed :	



NOTE: The style of extension will be determined by the application in which the extension is being used. Not all styles will work for certain applications. Also, depending on the application, hardware is generally (but not always) provided to hold the wheel to the end of the extension.